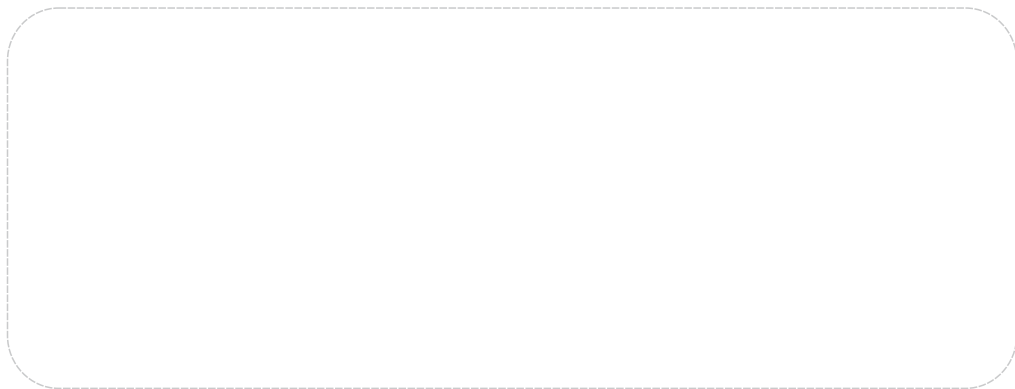


INNOVATION • DEDICATED • SERVICE • WIN-WIN



FRECON ELECTRIC (SHENZHEN) CO.,LTD

Add : 2nd, No.3 Zhenbao Industrial Zone, No.137 Shiyan Road, Shiyan Street, Bao 'an, Shenzhen, China

Tel : 0755- 88605930

Fax : 0755- 88606072

E-Mail: overseas@frecon.com.cn

Web: www.frecon.com.cn



Frecon Website



Face Book

202010(V1.5)



## FR500A&FR510A Series Vector Control Inverter



FRECON ELECTRIC (SHENZHEN) CO.,LTD.

**Overview**

FR500A series is a high performance, high quality, high power density design, new generation inverter of FRECON, which is mainly for OEM customers of the mid-high market and for applications such as fan and pump, flexible design, embedded SVC and VF control, widely used in the applications with higher requirements, such as the speed control accuracy and torque response speed, low frequency output characteristics.

Based on FR500A series, FR510A series adds the following functions:

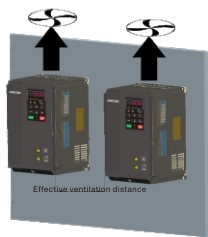
- Support synchronous motor
- Support multiple PG cards
- Support position control such as spindle orientation, pulse follow, zero servo.
- Support two groups of motor parameters

**New Technology Platform, Large Surplus Derating Design**

- Adopt Infineon new generation of IGBT hardware platform, with higher configuration and large surplus derating design

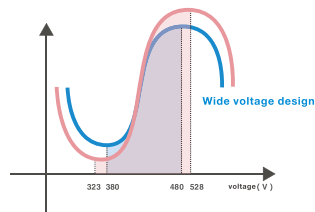
**Independent Air Duct**

- The independent air duct design, can effectively prevent the dust from entering the inverter and causing the fault of short circuit, improve the reliability
- Select the long-life and max air flow rate cooling fans, effectively reduce inverter temperature rise, ensure reliable and stable operation



**Wide Range Voltage Input with International Standards**

- Rated voltage: 3 phase 380-480V, 50Hz/60Hz
- Voltage fluctuation range: 325-528V, 50Hz/60Hz

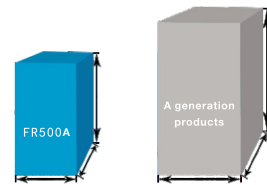


**Comprehensive protection functions**

- FR500A and FR510A series have comprehensive protection functions such as output to ground short circuit protection, fan drive circuit protection, external 24VDC short circuit protection, motor overload protection, optional PT100 / PT1000 motor temperature protection function, etc.
- According to the severity of the fault type, it can be selected as pre-warning, fault stop and continuous operation, it is convenient for maintenance

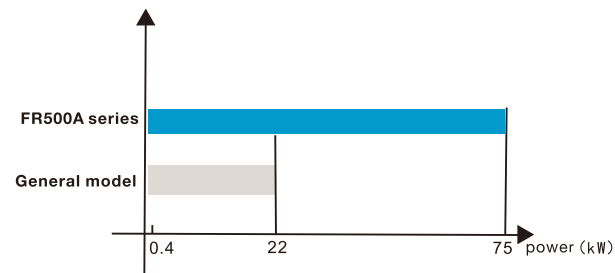
**Optimized Structural Design, Leading Technology Platform**

- Compare with previous generation products of the same power, the size of FR500A series is smaller, greatly saves the installation space, it's convenient to layout the electronic control device; maximum installation area reduced by 50%, volume reduced by 60%.



**Perfect Brake Circuit Scheme**

- Strong braking ability: The short-time braking ability can reach 1.1-1.4 times of inverter's rated power
- Brake protection is more comprehensive and intelligent



- General model: 0.4 ~ 22 kw built-in brake unit
- FR500A series: Below 37 kw (including 37 kw), built-in brake unit. 45 kw ~ 75 kw built-in brake unit is optional

**Strong Overload Ability**

- Heavy load overload capacity:
  - 150% of rated load can keep 1 min
  - 180% of rated load can keep 10 s
  - 200% of rated load can keep 1 s

**Excellent Performance**

- High-start torque characteristic
- 0.5Hz can provide 150% start torque (Sensor-less vector control 1)
- 0.25Hz can provide 150% start torque (Sensor-less vector control 2)
- Sensorless vector control can reduce susceptibility of motor parameter, improve the field adaptability

**Flexible and Diversified Terminal Functions**

- Multi-function terminal DI, DO, AO with a variety of logic functions for selection
- AI terminal can be used as multi-function DI terminal
- Built-in multi-group virtual DI and DO function selection to reduce external DI/DO wiring
- Support high-speed pulse input and output, up to 100 KHZ

**Built-in self-adaptive PID function module**

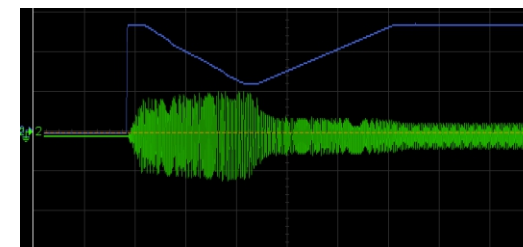
- Built-in two groups of PID parameters, which can automatically switch according to the deviation, DI terminal and frequency conditions
- Given and feedback source selection is various, practical
- Detect function of PID feedback loss, which is convenient for user to detect faults
- Support dormancy and wake up function, can be switched according to the frequency and pressure

**V/F fully separated and semi-separated Operation**

- Automatically compensate by voltage when overload, realize output voltage constant and meet the application requirements of power supply industry

**Speed Tracking Function**

- In the case of fast start, the inverter can make the motor to start smoothly according to the current operation direction and speed of the motor



Speed tracking output frequency and current waveform

**Multiple Communication Expansion Card**

- Support PROFIBUS, CAN, GPRS DTU and other communications

**Match a Variety Of Encoder (FR510A)**

- Support the OC, push-pull, difference, EN1313, U/V/W rotating transformer and other kinds of encoder

**Convenient Debugging**

- Strong back ground software



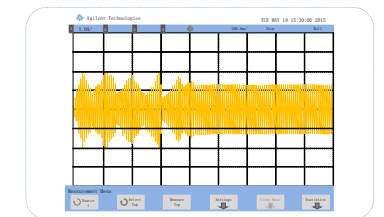
- Specialized upload and download module, convenient parameter debugging and backup
- According to the industry demand, develop a dedicated application macro

**The Unique Dead Zone Compensation**

- Ensure torque output smoothly under the low frequency

**Oscillation Suppression Function**

- When detected motor oscillation, automatic trimming output voltage and frequency make motor running smoothly

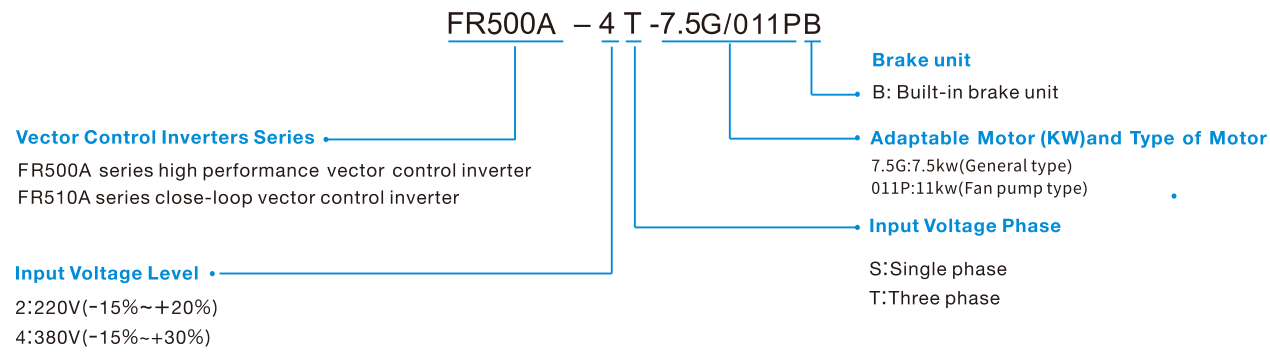


Oscillation suppression waveform

**CE Certification**

- The drive comply with the directive requirements of the 'New method of technical coordination and standardization' in EU

**Nameplate**



**Electric Specification**

Model No.	Power Capacity KVA	Rated Input Current A	Rated Output Current A	Applicable Motor	
				kW	HP
3-Phase :380V , 50/60Hz Range: -15% ~ +30%					
FR500-4T-0.7G/1.5PB	1.5	3.4	2.5	0.75	1
FR500-4T-1.5G/2.2PB	3	5.0	4.2	1.5	2
FR500-4T-2.2G/4.0PB	4	5.8	5.5	2.2	3
FR500A-4T-4.0G/5.5PB	6	11	9.5	3.7、4	5
FR500A-4T-5.5G/7.5PB	8.9	14.6	13	5.5	7.5
FR500A-4T-7.5GB	11	20.5	17	7.5	10
FR500A-4T-7.5G/011PB	11	20.5	17	7.5	10
FR500A-4T-011G/015PB	17	26	25	11	15
FR500A-4T-015G/018PB	21	35	32	15	20
FR500A-4T-018G/022PB	24	38.5	37	18.5	25
FR500A-4T-022G/030PB	30	46.5	45	22	30
FR500A-4T-030G/037PB	40	62	60	30	40
FR500A-4T-037GB	57	76	75	37	50
FR500A-4T-037G/045P	57	76	75	37	50
FR500A-4T-037G/045PB					
FR500A-4T-045G/055P	69	92	91	45	60
FR500A-4T-045G/055PB					
FR500A-4T-055G/075P	85	113	112	55	70
FR500A-4T-055G/075PB					
FR500A-4T-075G/090P	114	157	150	75	100
FR500A-4T-075G/090PB					
FR500A-4T-090G/110P	134	186	176	90	125
FR500A-4T-090G/110PB					
FR500A-4T-110G/132P	160	220	210	110	150
FR500A-4T-132G/160P	192	260	253	132	175
FR500A-4T-160G/185P	231	310	304	160	210
FR500A-4T-185G/200P	240	355	350	185	250
FR500A-4T-200G/220P	250	382	377	200	260
FR500A-4T-220G/250P	280	430	426	220	300
FR500A-4T-250G/280P	355	475	470	250	330
FR500A-4T-280G/315P	396	535	520	280	370
FR500A-4T-315G/355P	445	610	600	315	420
FR500A-4T-355G/400P	500	665	650	355	470
FR500A-4T-400G/450P	565	785	725	400	530
FR500A-4T-450G	623	865	800	450	600

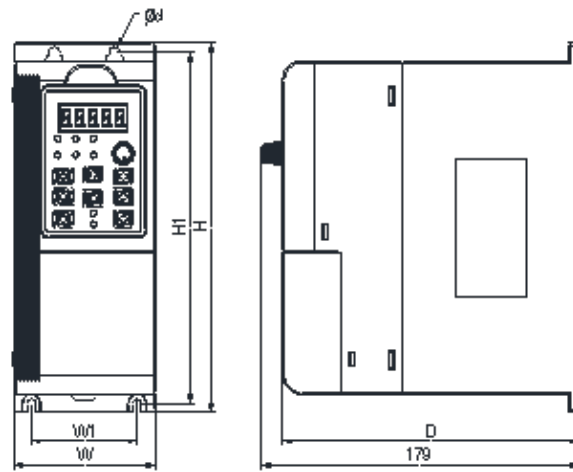
Note: 1. (B) Built-in brake unit is optional  
2. For FR510A series model number, just need to replace FR500A to FR510A

**Technical Parameters**

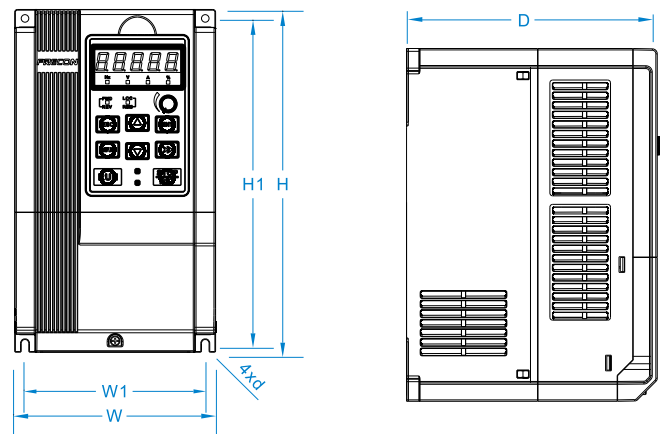
		Specification	
Item		FR500A series	FR510A series
Power Input	Rated Input Voltage(V)	3 Phase 380v(-15%~+30%)	
	Rated Input Frequency(Hz)	50Hz/60Hz,±5%	
Power Output	Rated Output Voltage(V)	0V~Uin,Error<±3%	
	Rated Output Frequency(Hz)	0.00~600.00Hz;Unit:0.01Hz	
Load	Types Of Motor	Single-phase asynchronous motor, Three-phase asynchronous motor	Single-phase asynchronous motor,Three-phase asynchronous motor,Three-phase permanent magnet synchronous motor
	Control Mode	Speed, torque	Speed, torque, position
	Motor Parameters	1 Group	2 Groups
Control Characteristics	Control Mode	V/F Control Sensor-less Vector Control 1 Sensor-less Vector Control 2	V/F Control Sensor-less Vector Control 1 Sensor-less Vector Control 2 Close-loop Vector Control
	Speed Range	1:50(V/F Control), 1:100(Sensor-less Vector Control 1) 1:200(Sensor-less Vector Control 2) 1:1000(Close-loop Vector Control)	
	Speed Control Precision	±0.5%(V/F Control), ±0.2%(Sensor-less Vector Control 1 & 2) ±0.1%(Close-loop Vector Control)	
	Speed Fluctuation	±0.3%(Sensor-less Vector Control 1 & 2) ±0.1%(Close-loop Vector Control)	
	Torque Response	10ms(Sensor-less Vector Control 2)	
	Start Torque	0.5Hz:150%(V/F Control, Sensor-less Vector Control 1) 0.25Hz:150%(Sensor-less Vector Control 2) 0.0Hz:180%(Close-loop Vector Control)	
	Basic Function	Carrier Frequency	0.7kHz ~16 kHz
Overload Capacity		150% Rated Current 60s, 180% Rated Current 10s, 200% Rated Current 1s	
Torque Boost		Auto Torque Boost, Manual Torque Boost 0.1%~30%	
V/F Curve		Three Models: Straight Line; Multi-point; Nth-type V/F Curve	
Acceleration and Deceleration Curve		Straight line or S curve acceleration and deceleration mode. Four kinds of acceleration and deceleration time Ramp time range: 0.0~6000.0s	
DC Brake		DC brake start frequency: 0.00~Max frequency, DC brake time: 0.0s~10.0s, DC brake current: 0.0%~150%	
Run	Command Source	Given the control panel, control terminal, serial communication port given	
	Frequency Given	9 kinds of frequency sources	
	Input Terminal	7 Switch input terminals, one way to make high speed pulse input Support NPN and PNP 3 channel analog inputs, including 2 way 0-10V/0-20mA voltage and current options,a way to support -10~+10 V input	
	Output Terminal	2 way switch output terminal, which supports a maximum road speed 100kHz pulse output 2 relay output terminals 2 analog output terminal, and optional voltage and current	
Featured Function	Parameters copy, parameters backup, flexible function code shown and hidden, reliable speed search, timing control, fixed-length control function and counting function, 14 group of fault records, over voltage stall, under voltage stall, power-on restart, restarting function, the motor temperature protection function, frequency control operation , high accuracy of torque limiting, Sensor-less torque control		
Protection Function	Provide adozen fault protection : over-voltage, over-current,under-voltage, over-temperature, overload,etc		
Environment	Operation Place	Indoors, no direct sunlight, no dust, no corrosive gases, no flammable gases, no oil mist, no water vapor, no water drop and salt, etc	
	Altitude	0~2000m Derate 1% for every 100m when the altitude is above 1000 meters	
	Ambient Temperature	-10 ~ 40 °C (when environment temperature is in 40 ~ 50°C, please derating use.)	
Others	Installation	Wall-mountingor flang mounting	
	IP Grade	IP20	
	Cooling Method	Forced air cooling	

**Installation dimensions**

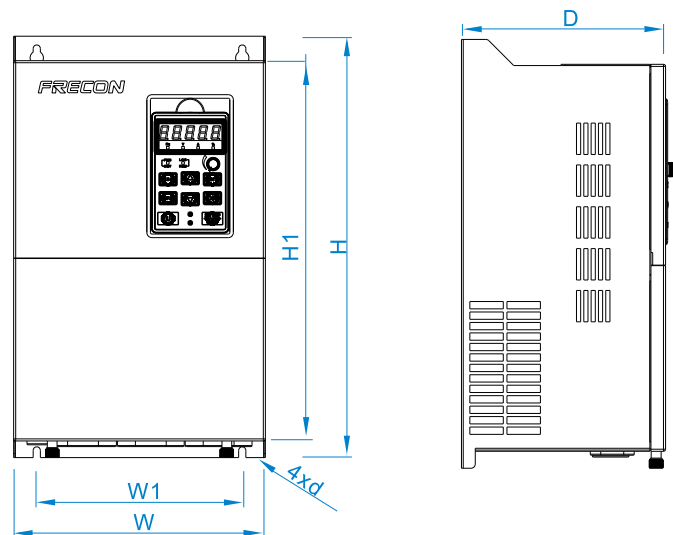
**0.2-2.2kw structure diagram**



**4-22kw structure diagram**



**30-450kw structure diagram**



**Installation dimensions**

Model NO.	External and installation dimensions(mm)						Weight(Kg)
	W	W1	H	H1	D	Installation Hole	
3-Phase:380V, 50/60Hz Range:-15%~+30%							
FR500-4T-0.7G/1.5PB	80	60	200	190	167	6	1.34
FR500-4T-1.5G/2.2PB							
FR500-4T-2.2G/4.0PB							
FR500A-4T-4.0G/5.5PB	116.6	106.6	186.6	176.6	175	4.5	2.5
FR500A-4T-5.5G/7.5PB							
FR500A-4T-7.5GB							
FR500A-4T-7.5G/011PB	146	131	249	236	177	5.5	3.9
FR500A-4T-011G/015PB							
FR500A-4T-015G/018PB	198	183	300	287	185	5.5	6.2
FR500A-4T-018G/022PB							
FR500A-4T-022G/030PB							
FR500A-4T-030G/037PB	245	200	410	391	200	7	11.8
FR500A-4T-037GB							
FR500A-4T-037G/045P(B)	300	200	485	466	226	7	15
FR500A-4T-045G/055P(B)							
FR500A-4T-055G/075P(B)							
FR500A-4T-075G/090P(B)	310	200	620	601	280	9.5	26
FR500A-4T-090G/110P(B)							
FR500A-4T-110G/132P	310	200	650	620	350	11.5	45
FR500A-4T-132G/160P							
FR500A-4T-160G/185P							
FR500A-4T-185G/200P	500	300	855	822	320	12	112
FR500A-4T-200G/220P							
FR500A-4T-220G/250P							
FR500A-4T-250G/280P	540	340	924.5	896	380	12	120
FR500A-4T-280G/315P							
FR500A-4T-315G/355P							
FR500A-4T-355G/400P	620	400	996	963	390	12	133
FR500A-4T-400G/450P							
FR500A-4T-450G	700	500	1025.5	988.5	390	14	195

Note: For FR510A series model number, just need to replace FR500A to FR510A